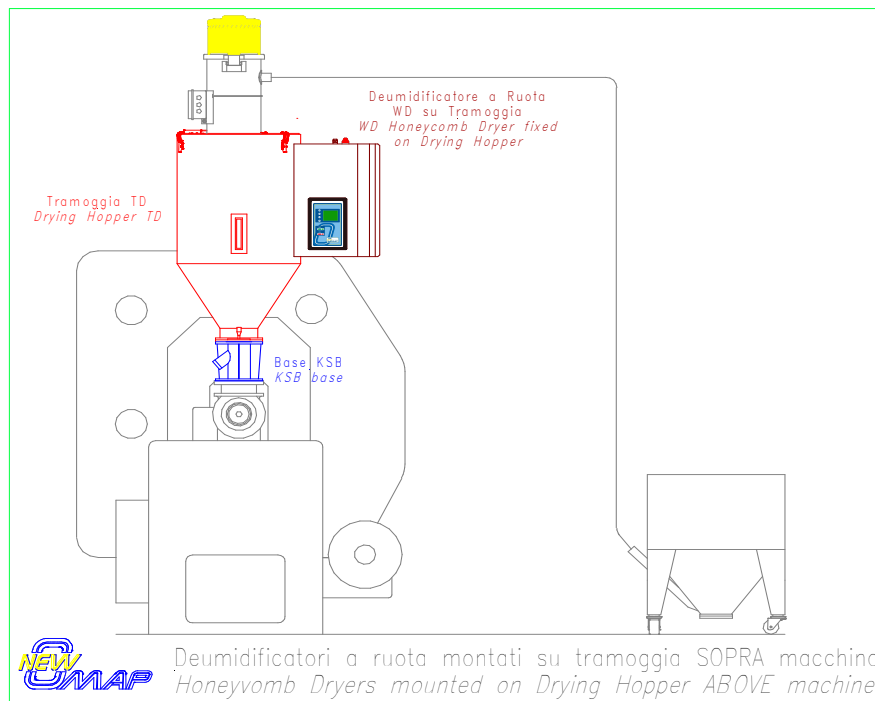
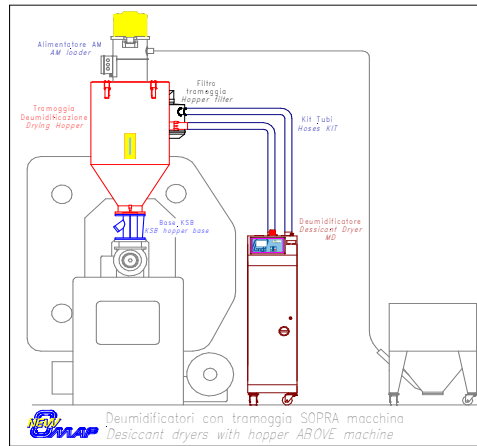


MODELLI CON TRAMOGGIA SOPRA PRESSA
MODELS WITH HOPPER ABOVE MACHINE



5-01 **Sistema deumidificatore ruota WD MT (50÷150°C) direttamente collegato a tramoggia sopra pressa**
System with rotor dryer WD MT (50÷150°C) directly fixed on hopper above machine

Modello Model	Portata aria Airflow	Soffianti Blowers	Dew Point Dew Point	Proces./Rigen. Proc./Regen. Heating	Tensione/Frequenza Voltage/Frequency	Volume tramoggia Hopper volume	Base con serranda Base with slide gate
WD15 MT-30	15 m ³ /h	75.0/8.0 W	-45°C	1200/800 W	230V/1/50Hz	30 dm ³	no
WD20 MT-50	20 m ³ /h	75.0/8.0 W	-45°C	1200/800 W	230V/1/50Hz	50 dm ³	no
WD25 MT-75	25 m ³ /h	75.0/8.0 W	-45°C	1200/800 W	230V/1/50Hz	75 dm ³	no
WD25 MT-100	25 m ³ /h	75.0/8.0 W	-45°C	1200/800 W	230V/1/50Hz	100 dm ³	no



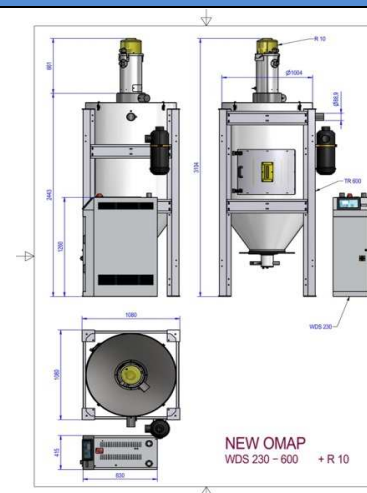
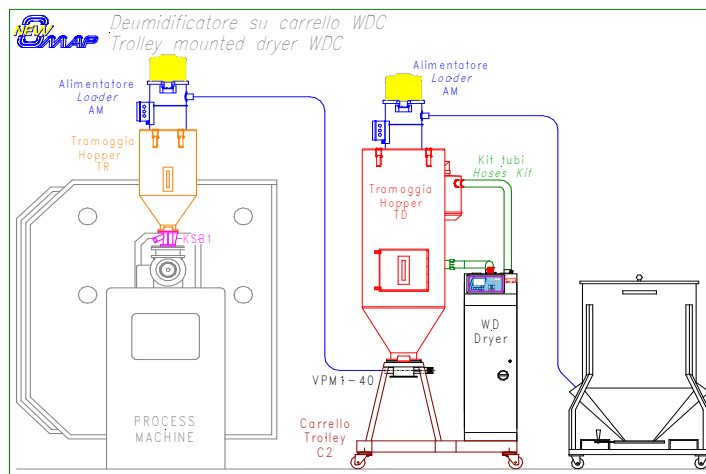
5-02 Sistema deumidificatore a ruota WD MT (70÷140°C) + tramoggia con base sopra pressa
System with rotor dryer WD MT (70÷140°C) + hopper with base above machine

Modello Model	Portata aria Airflow	Dew Point Dew Point	Proc./Rigen. Risc. Proc./Regen. Heating	Tensione/Frequenza Voltage/Frequency	Volume tramoggia Hopper volume	Diametro tubi aria Air hoses diameter	Base con serranda Base with slide gate
WD80 MT - 50	80 m ³ /h	-50°C, -40°C, -30°C	2,8/2,8 kW	400V/3/50Hz	50 dm ³	3+3 m, D. 50 mm	KSB1
WD80 MT - 75	80 m ³ /h	-50°C, -40°C, -30°C	2,8/2,8 kW	400V/3/50Hz	75 dm ³	3+3 m, D. 50 mm	KSB1
WD80 MT - 100	80 m ³ /h	-50°C, -40°C, -30°C	2,8/2,8 kW	400V/3/50Hz	100 dm ³	3+3 m, D. 50 mm	KSB2
WD80 MT - 150	80 m ³ /h	-50°C, -40°C, -30°C	2,8/2,8 kW	400V/3/50Hz	150 dm ³	3+3 m, D. 50 mm	KSB2
WD130 MT - 150	130 m ³ /h	-50°C, -40°C, -30°C	4,5/2,8 kW	400V/3/50Hz	150 dm ³	3+3 m, D. 50 mm	KSB2
WD130 MT - 200	130 m ³ /h	-50°C, -40°C, -30°C	4,5/2,8 kW	400V/3/50Hz	200 dm ³	3+3 m, D. 50 mm	KSB2

5-03 Sistema deumidificatore a ruota WD HT (70÷190°C) + tramoggia con base sopra pressa
System with rotor dryer WD HT (70÷190°C) + hopper with base above machine

Modello Model	Portata aria Airflow	Dew Point Dew Point	Proc./Rigen. Risc. Proc./Regen. Heating	Tensione/Frequenza Voltage/Frequency	Volume tramoggia Hopper volume	Diametro tubi aria Air hoses diameter	Base con serranda Base with slide gate
WD80 HT - 50	80 m ³ /h	-50°C, -40°C, -30°C	3,5/2,8 kW	400V/3/50Hz	50 dm ³	3+3 m, D. 50 mm	KSB1
WD80 HT - 75	80 m ³ /h	-50°C, -40°C, -30°C	3,5/2,8 kW	400V/3/50Hz	75 dm ³	3+3 m, D. 50 mm	KSB1
WD80 HT - 100	80 m ³ /h	-50°C, -40°C, -30°C	3,5/2,8 kW	400V/3/50Hz	100 dm ³	3+3 m, D. 50 mm	KSB2
WD80 HT - 150	80 m ³ /h	-50°C, -40°C, -30°C	3,5/2,8 kW	400V/3/50Hz	150 dm ³	3+3 m, D. 50 mm	KSB2
WD130 HT - 150	130 m ³ /h	-50°C, -40°C, -30°C	7,5/2,8 kW	400V/3/50Hz	150 dm ³	3+3 m, D. 50 mm	KSB2
WD130 HT - 200	130 m ³ /h	-50°C, -40°C, -30°C	7,5/2,8 kW	400V/3/50Hz	200 dm ³	3+3 m, D. 50 mm	KSB2

MODELLI SU CARRELLO O TELAIO
FRAME- OR TROLLEY-MOUNTED UNITS



5-04

Deumidificatore a ruota WD MT (70÷140°C) con tramoggia+cassetto aspirazione su carrello o telaio
Rotor dryer WD MT (70÷140°C) with hopper and take-off box on trolley or frame

Modello Model	Portata aria Airflow	Dew Point Dew Point	Proc./Rigen. Risc. Proc./Regen. Heating	Volume tramoggia Hopper volume	Diametro tubi aria Air hoses diameter	Carrello / Telaio Trolley / Frame	Cassetto aspirazione Take-off box
WDC15 MT-30	15 m ³ /h	-45°C	75.0/8.0 W	30 dm ³	-	CART-AD	VPM1-40
WDC20 MT-50	20 m ³ /h	-45°C	75.0/8.0 W	50 dm ³	-	CART-AD	VPM1-40
WDC25 MT-75	25 m ³ /h	-45°C	75.0/8.0 W	75 dm ³	-	CART-AD	VPM1-40
WDC25 MT-100	25 m ³ /h	-45°C	75.0/8.0 W	100 dm ³	-	CART-AD	VPM1-40
WDC80 MT - 50	80 m ³ /h	-50°C, -40°C, -30°C	2,8/2,8 kW	50 dm ³	1+1 m, D. 50 mm	C2	VPM1-40
WDC80 MT - 75	80 m ³ /h	-50°C, -40°C, -30°C	2,8/2,8 kW	75 dm ³	1+1 m, D. 50 mm	C2	VPM1-40
WDC80 MT - 100	80 m ³ /h	-50°C, -40°C, -30°C	2,8/2,8 kW	100 dm ³	1+1 m, D. 50 mm	C2	VPM1-40
WDC80 MT - 150	80 m ³ /h	-50°C, -40°C, -30°C	2,8/2,8 kW	150 dm ³	1+1 m, D. 50 mm	C2	VPM1-40
WDC130 MT - 150	130 m ³ /h	-50°C, -40°C, -30°C	4,5/2,8 kW	150 dm ³	1+1 m, D. 50 mm	C2	VPM1-40
WDC130 MT - 200	130 m ³ /h	-50°C, -40°C, -30°C	4,5/2,8 kW	200 dm ³	1+1 m, D. 50 mm	C2	VPM1-40
WDC230 MT - 300**	230 m ³ /h	-50°C, -40°C, -30°C	4,5/2,8 kW	300 dm ³	1+1 m, D. 63 mm	C2	VPM1-40
WDS230 MT - 400	230 m ³ /h	-50°C, -40°C, -30°C	4,5/2,8 kW	400 dm ³	1+1 m, D. 63 mm	S40	VPM1-40
WDS230 MT - 600	230 m ³ /h	-50°C, -40°C, -30°C	4,5/2,8 kW	600 dm ³	1+1 m, D. 63 mm	S60	VPMS2-50
WDS270 MT - 400	270 m ³ /h	-50°C, -40°C, -30°C	4,5/2,8 kW	400 dm ³	1+1 m, D. 50 mm	S40	VPM1-40
WDS270 MT - 600	270 m ³ /h	-50°C, -40°C, -30°C	4,5/2,8 kW	600 dm ³	1+1 m, D. 50 mm	S60	VPMS2-50
WDS270 MT - 800	270 m ³ /h	-50°C, -40°C, -30°C	4,5/2,8 kW	800 dm ³	1+1 m, D. 50 mm	S80	VPMS2-50

** 300 litri quando disponibile

** 300 litres when available

5-05 Deumidificatore a ruota mono-soffiante WDS HT (70÷190°C) su carrello con tramoggia+cassetto aspirazione
Trolley-mounted single-blower wheel WDS HT (70÷190°C) dryer with hopper + take-off box

Modello Model	Portata aria Airflow	Dew Point Dew Point	Proc./Rigen. Risc. Proc./Regen. Heating	Volume tramoggia Hopper volume	Diametro tubi aria Air hoses diameter	Carrello con ruote Trolley on wheels	Cassetto aspirazione Take-off box
WDC80 HT - 50	80 m ³ /h	-50°C, -40°C, -30°C	3,5/2,8 kW	50 dm ³	1+1 m, D. 50 mm	C2	VPM1-40
WDC80 HT - 75	80 m ³ /h	-50°C, -40°C, -30°C	3,5/2,8 kW	75 dm ³	1+1 m, D. 50 mm	C2	VPM1-40
WDC80 HT - 100	80 m ³ /h	-50°C, -40°C, -30°C	3,5/2,8 kW	100 dm ³	1+1 m, D. 50 mm	C2	VPM1-40
WDC80 HT - 150	80 m ³ /h	-50°C, -40°C, -30°C	3,5/2,8 kW	150 dm ³	1+1 m, D. 50 mm	C2	VPM1-40
WDC130 HT - 150	130 m ³ /h	-50°C, -40°C, -30°C	7,5/2,8 kW	150 dm ³	1+1 m, D. 50 mm	C2	VPM1-40
WDC130 HT - 200	130 m ³ /h	-50°C, -40°C, -30°C	7,5/2,8 kW	200 dm ³	1+1 m, D. 50 mm	C2	VPM1-40
WDC230 HT - 300**	230 m ³ /h	-50°C, -40°C, -30°C	7,5/2,8 kW	300 dm ³	1+1 m, D. 63 mm	C2	VPM1-40
WDC230 HT - 400	230 m ³ /h	-50°C, -40°C, -30°C	7,5/2,8 kW	400 dm ³	1+1 m, D. 63 mm	S40	VPM1-40
WDC230 HT - 600	230 m ³ /h	-50°C, -40°C, -30°C	7,5/2,8 kW	600 dm ³	1+1 m, D. 63 mm	S60	VPMS2-50
WDC270 HT - 400	270 m ³ /h	-50°C, -40°C, -30°C	7,5/2,8 kW	400 dm ³	1+1 m, D. 50 mm	S40	VPM1-40
WDS270 HT - 600	270 m ³ /h	-50°C, -40°C, -30°C	7,5/2,8 kW	600 dm ³	1+1 m, D. 50 mm	S60	VPMS2-50
WDS270 HT - 800	270 m ³ /h	-50°C, -40°C, -30°C	7,5/2,8 kW	800 dm ³	1+1 m, D. 50 mm	S80	VPMS2-50

** 300 litri quando disponibile

** 300 litres when available

